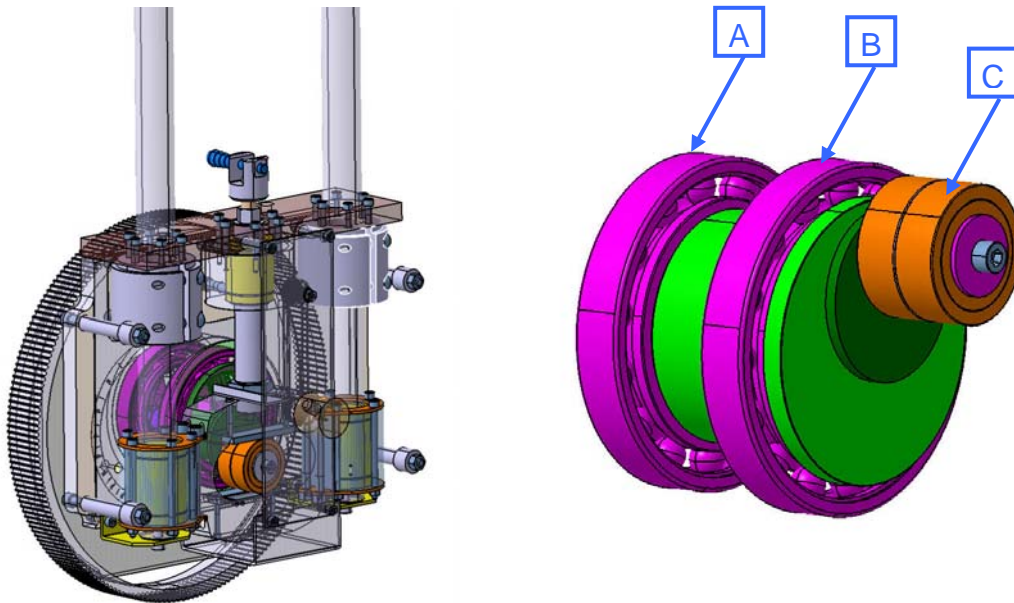


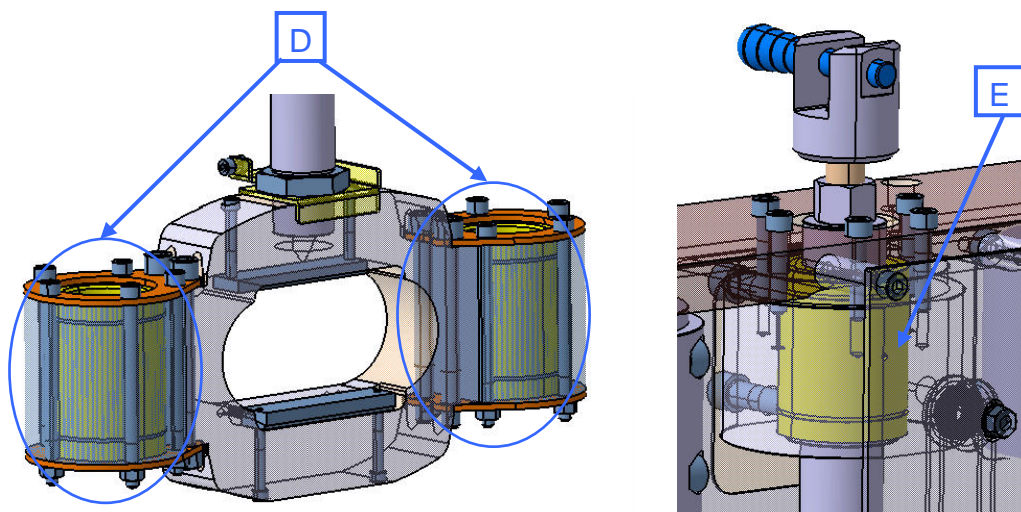
Bearings list in DINO 15-100

a) SCOTCH YOKE mechanism



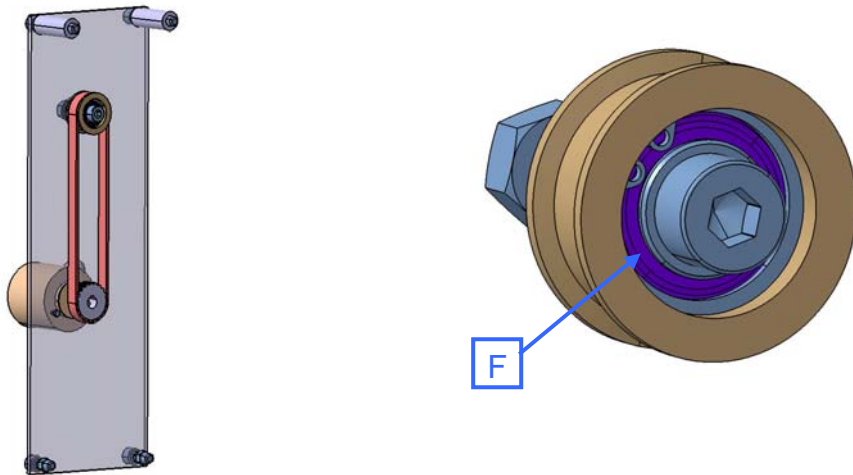
Bearings description:

- A: 6022 – 2RS - Deep groove ball bearings
- B: 6024 – 2RS - Deep groove ball bearings
- C: NAST – 35 - 2Z – Needle roller bearings



- D: KB50100 Linear bearing
- E: KN4080 Linear bearing

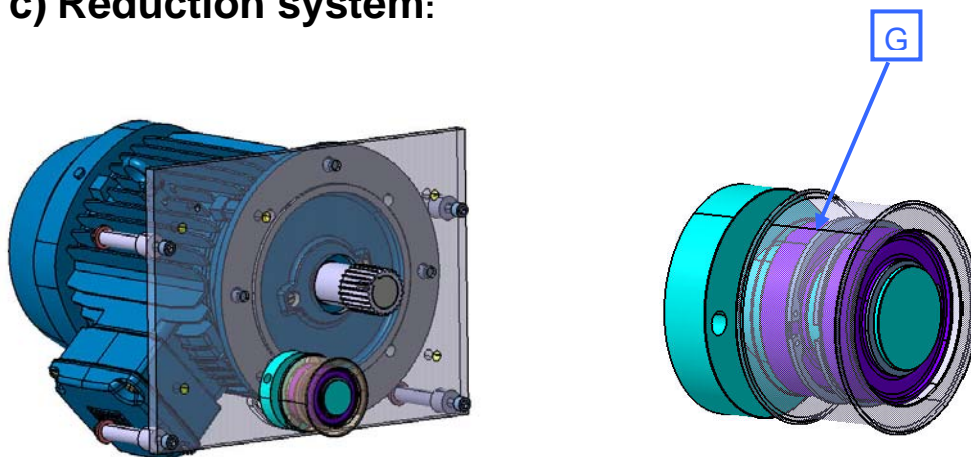
b) Encoder assembly



Bearings description:

- F: 61901 – 2RS – Deep groove ball bearings

c) Reduction system:



Bearings description:

- G: 6009 – 2RS - Deep groove ball bearings